



## 2-IN-1 BASSINET & BEDSIDE SLEEPER



Model # : EB003



Model # : EB004

Kolcraft® - United States  
1100 W Monroe St  
Chicago, IL 60607

1-800-453-7673

consumerservices@kolcraft.com

Manufactured, distributed and warranted by Kolcraft Enterprises, Inc., a licensee of Sealy Technology LLC.

B038-R3 03/2024

## ⚠️ WARNING

Failure to follow these warnings and instructions could result in death or serious injury.

# SUFFOCATION HAZARD

## Babies have suffocated:

- on pillows, comforters, and extra padding
- in gaps between a wrong-size mattress, or extra padding and product sides
- **NEVER** add soft bedding or padding.
- Use **ONLY** mattress provided by manufacturer.

Failure to follow these warnings and instructions could result in serious injury or death. KEEP INSTRUCTIONS FOR FUTURE USE. Read all instructions before assembling and using the product. Always read and follow assembly instructions for each product use mode (bassinet, bedside sleeper). • Always use ALL required parts for each use mode. Check instruction manual for a list of required parts. Periodically check product for loose, damaged, or missing parts. Do not substitute parts. Contact Kolcraft if replacement parts or additional instructions are needed. ADULT ASSEMBLY REQUIRED

- **CHOKING HAZARD-Small parts. ADULT ASSEMBLY REQUIRED.** This package contains small parts which, before assembly, present a choking hazard to children under the age of three. Care should be taken during unpacking and assembly to ensure that all small parts and plastic bags are accounted for and kept out of the reach of children. All fasteners should be fully tightened.

**FALL HAZARD:** -To help prevent falls, do not use this bassinet for a child who can roll over or push up on hands and knees or who has reached 20 lb, whichever comes first. A bedside sleeper is designed to provide a sleeping area for an infant until he or she begins to push up on hands and knees or approximately 5 months of age. Move your child to another sleeping product when your child reaches this stage.

## ⚠️ WARNING

# SUFFOCATION HAZARD

## Infants have suffocated:

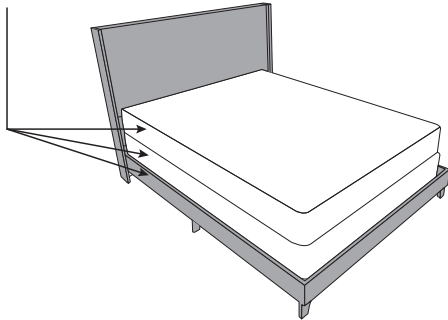
- In gaps between extra padding and side of the bassinet/cradle, and
- On soft bedding
- Use only the pad provided by manufacturer. NEVER add a pillow, comforter, or another mattress for padding.

- To reduce the risk of SIDS, pediatricians recommend healthy infants be placed on their backs to sleep, unless otherwise advised by your physician.
- Always place baby on back to sleep to reduce the risk of SIDS and suffocation.
- Strings can cause strangulation! Do not place items with a string around a child's neck, such as hood strings or pacifier cords. Do not suspend strings over a bassinet or cradle or attach strings to toys.
- Never use without a mattress pad.
- Use only the sheet that is provided with the mattress pad for the bassinet. Call Kolcraft for a replacement cover / pad.
- Assemble product according to manufacturer's instructions for ANY use mode—bedside sleeper as well as the bassinet or both.

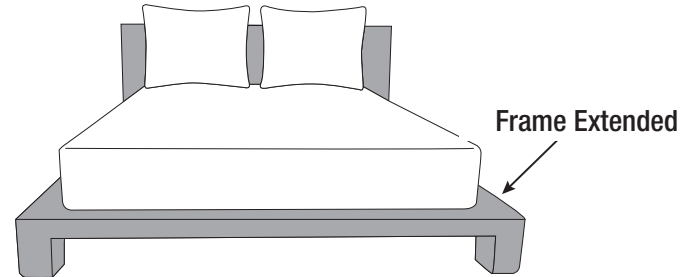
## ⚠️ WARNING

- This bedside sleeper is designed for use only with adult beds that are between 19 and 31 inches from floor to top of adult mattress, with a bottom clearance of at least 2 inches in height and depth, and with the mattress and frame in-line.
- The bedside sleeper CANNOT be used with adult beds without frames or adult beds where the mattress, boxspring, and frame are not in-line.


### Box springs & Frame aligned



ACCEPTABLE BED FRAME IN-LINE



UNACCEPTABLE BED, MATTRESS, BOXSPRING & FRAME NOT IN-LINE

- The attachment system must always be used in bedside sleeper mode. 
- To avoid death from the infant's neck being caught on the top rail on the side that is next to the adult bed, the top rail must be no higher than the adult bed mattress.

**ENTRAPMENT HAZARD:** To prevent death from entrapment, bedside sleeper must be properly secured to adult bed using the attachment system.

- There must be no more than 1/2 in. gap between bedside sleeper and adult bed.
- Check tightness before each use by pulling bedside sleeper in a direction away from adult bed.
- If gap exceeds 1/2 in., DO NOT use product. Do not fill the gap with pillows, blankets or other items that are suffocation hazards.

# PARTS LIST

TOOL NEEDED: PHILLIPS SCREWDRIVER



## FASTENERS



FB (x4)



FN (x4)

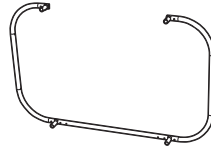


FS (x8)

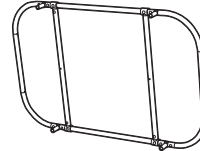


FT (x4)

## FRAME



BH



BF

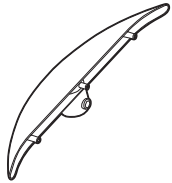


BW

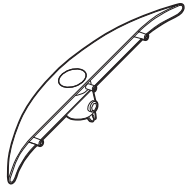


BV (x2)

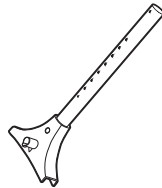
## SIDES



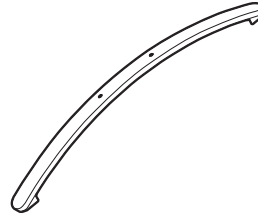
ST (x2)



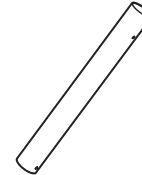
SB (x2)



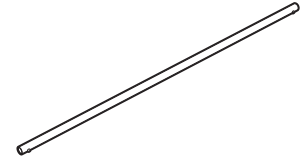
SL (x2)



SF (x2)

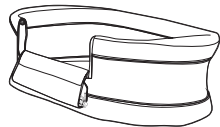


SM (x2)



SC

## SOFT GOODS



GB (Includes Top Rail)



GS (EB003 Model Only)



GM



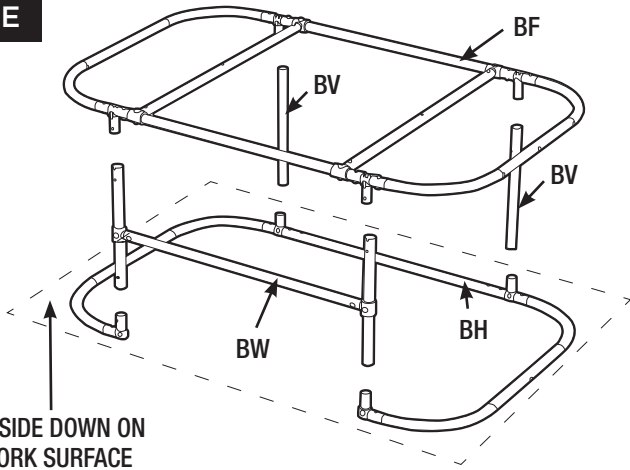
GT\* (x2)

\*DO NOT use bedside sleeper if any parts are missing, damaged, or broken.

Contact Kolcraft for replacement parts and instructional literature if needed. DO NOT substitute parts.

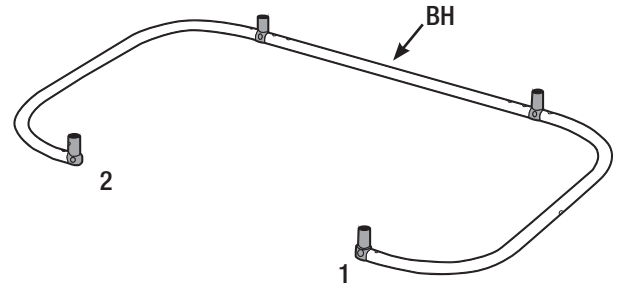
# ASSEMBLE FRAME

## FRAME

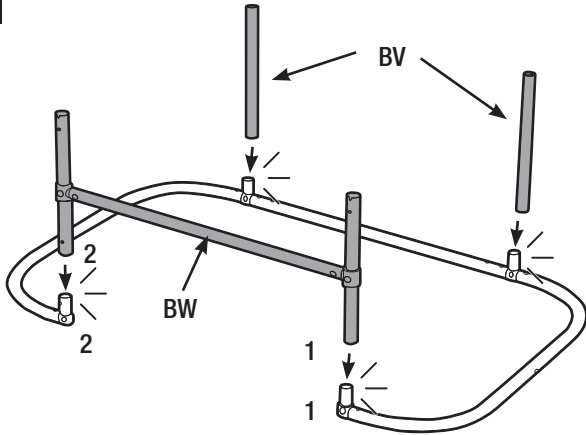


BUILD UPSIDE DOWN ON  
CLEAN WORK SURFACE

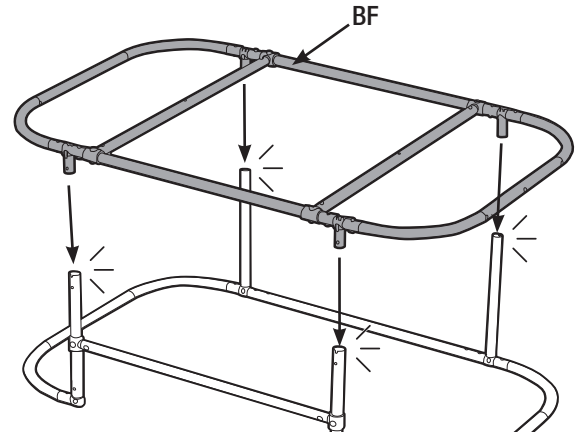
## 1-1



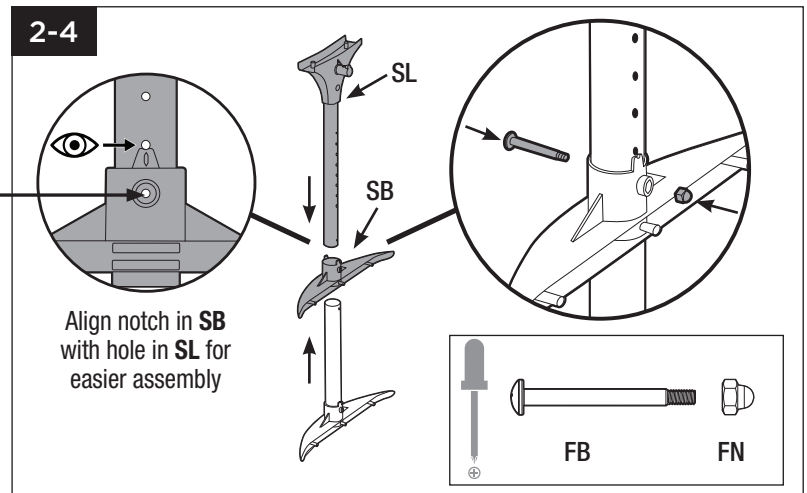
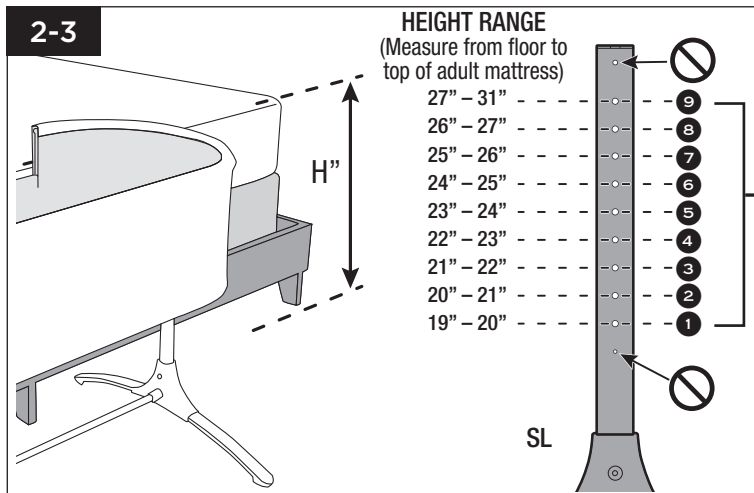
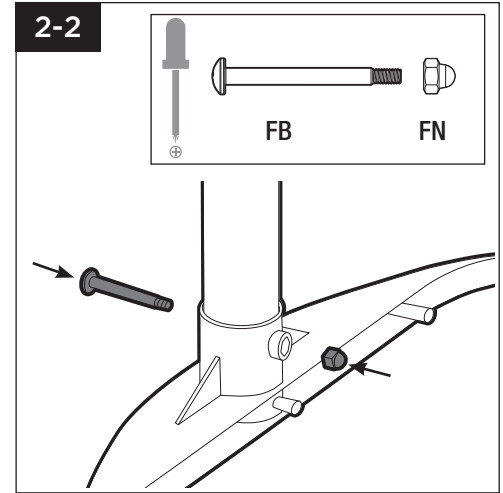
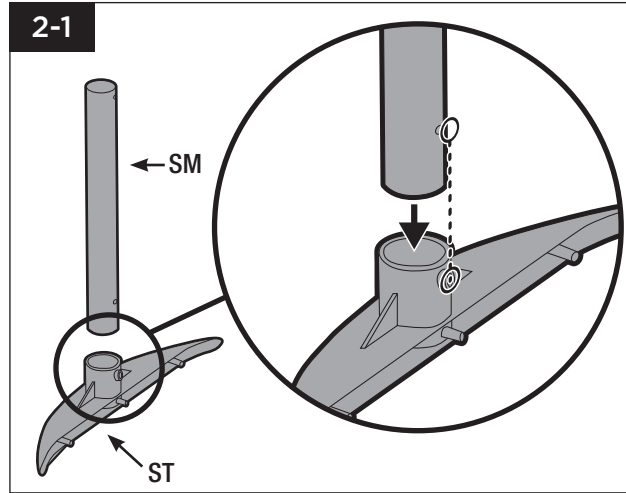
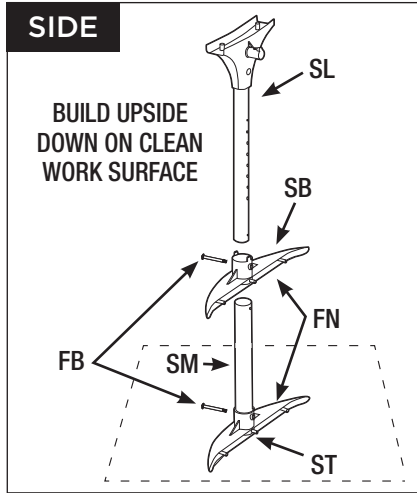
## 1-2



## 1-3

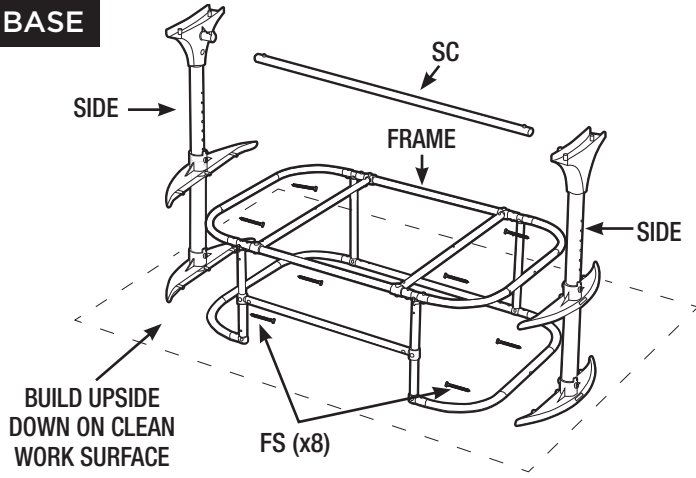


# ASSEMBLE SIDES - x2

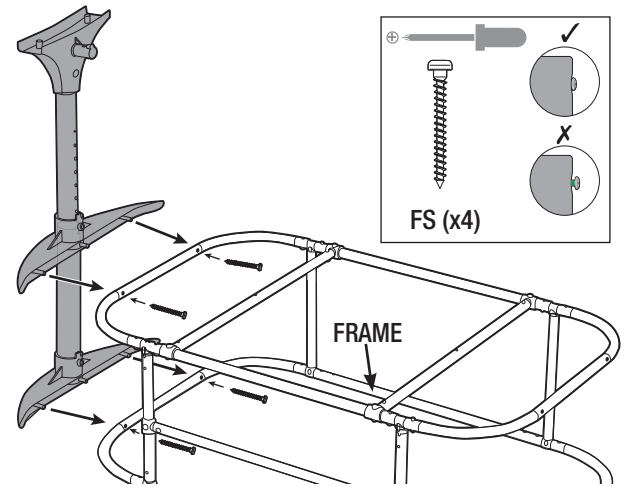


# ASSEMBLE SIDES AND FRAME

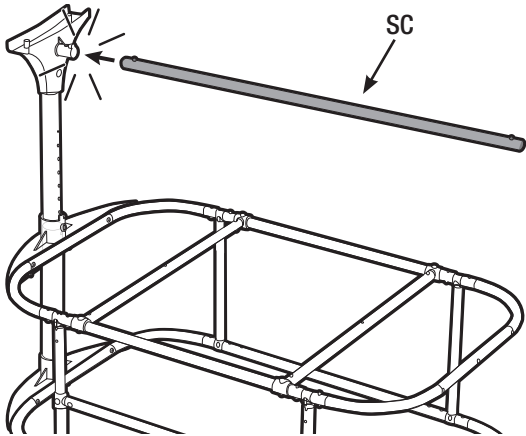
## BASE



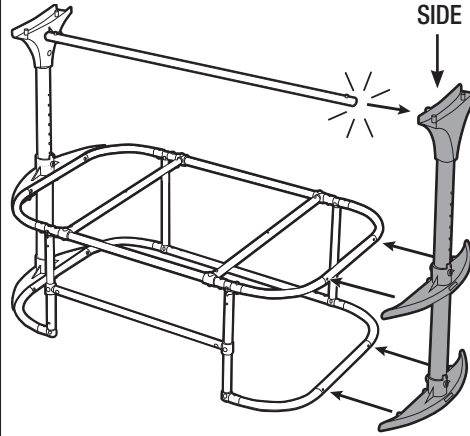
## 3-1



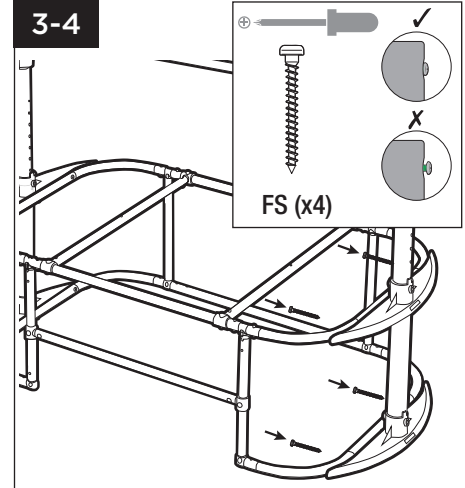
## 3-2



## 3-3



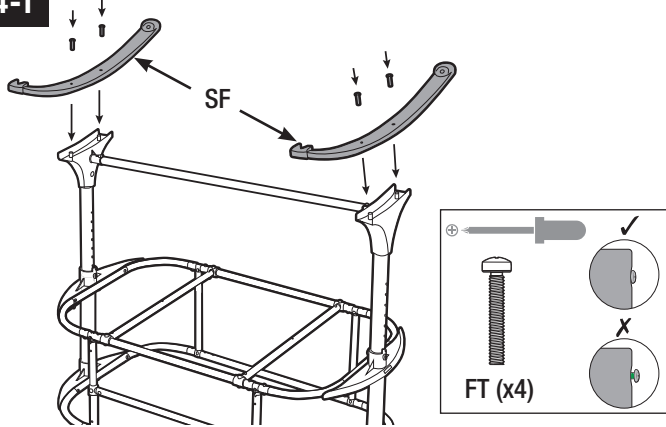
## 3-4



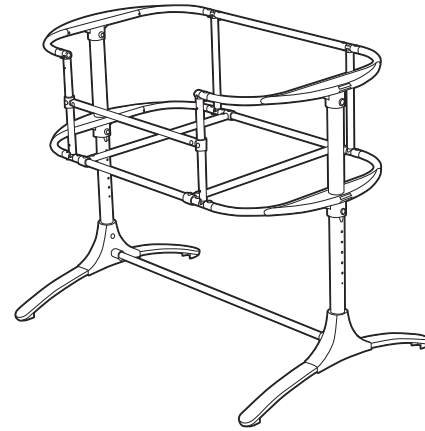


# ASSEMBLE FEET

4-1



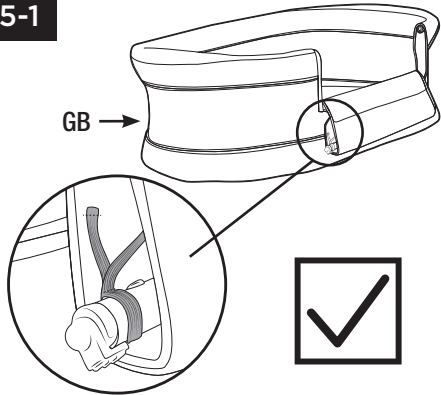
4-2



FRAME

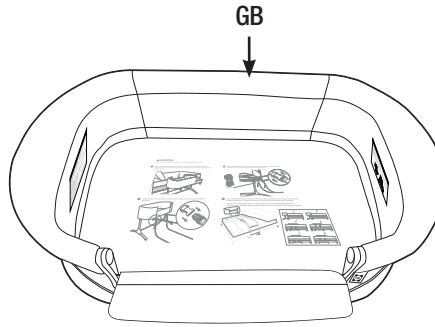
# ASSEMBLE SOFT GOODS

5-1

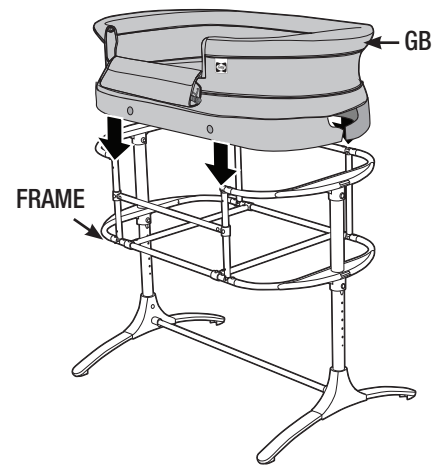


Ensure top rail is secured with elastic loops on both sides.

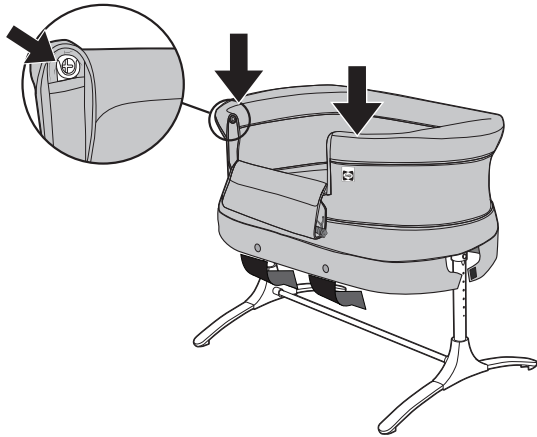
5-2



NOTE: Text facing up and Sealy logo facing you, as you wrap **GB** around frame.

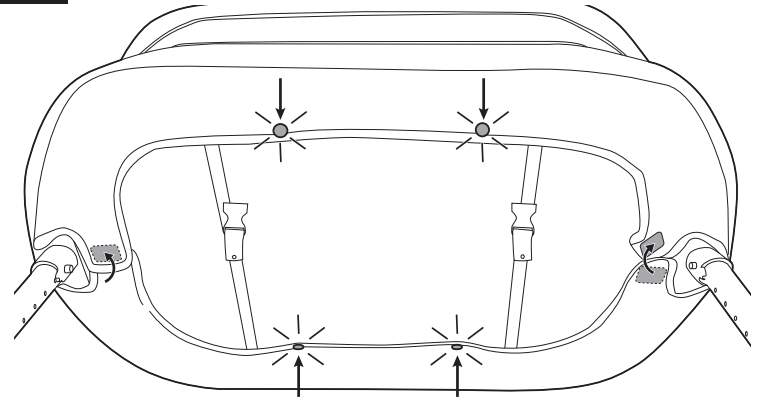


5-3



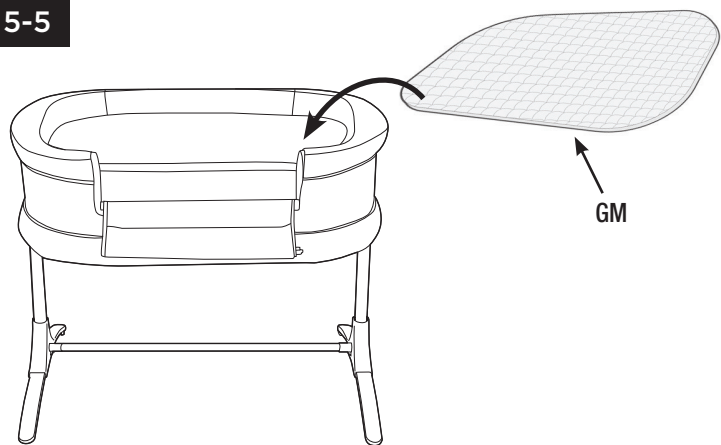
Wrap **soft goods (GB)** around frame and pull taut.

5-4

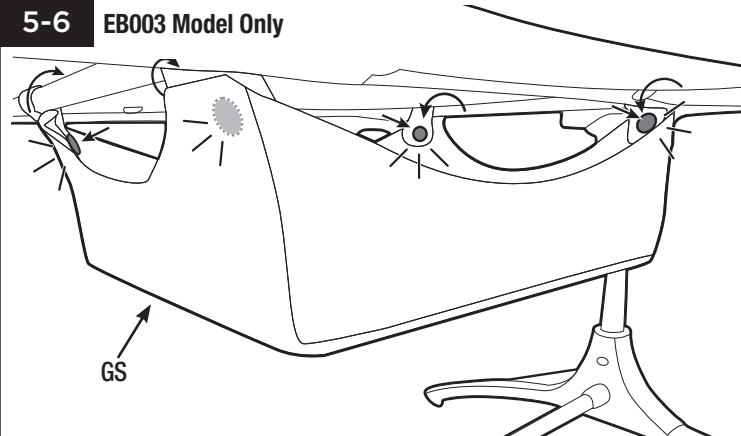


Snap buttons and secure hook & loop underneath.

5-5

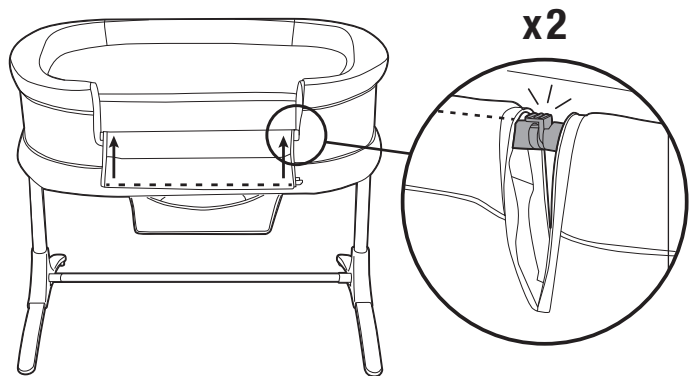


5-6 EB003 Model Only



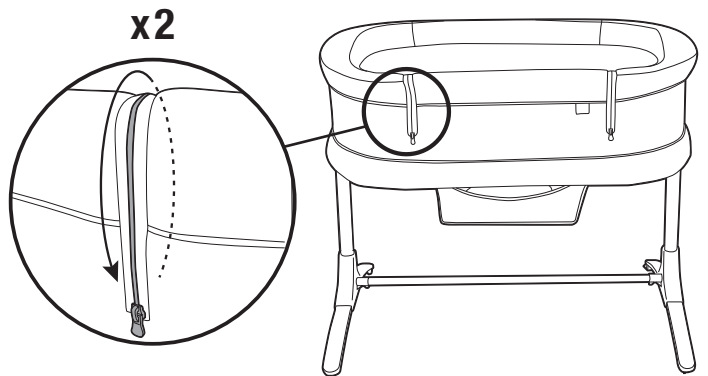
EB004 Model Only: side storage pocket pre-installed

5-7 FOR BASSINET MODE



FOR BASSINET MODE, always attach top rail.

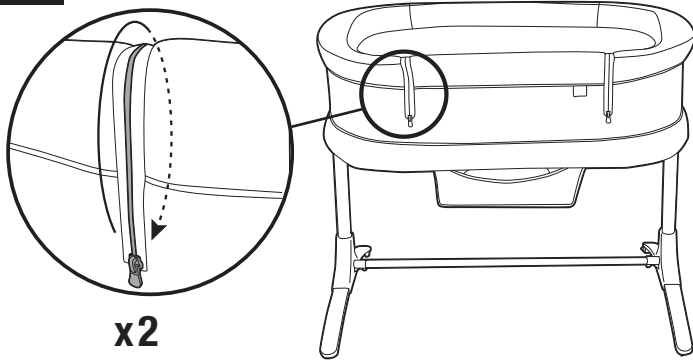
5-8 FOR BASSINET MODE



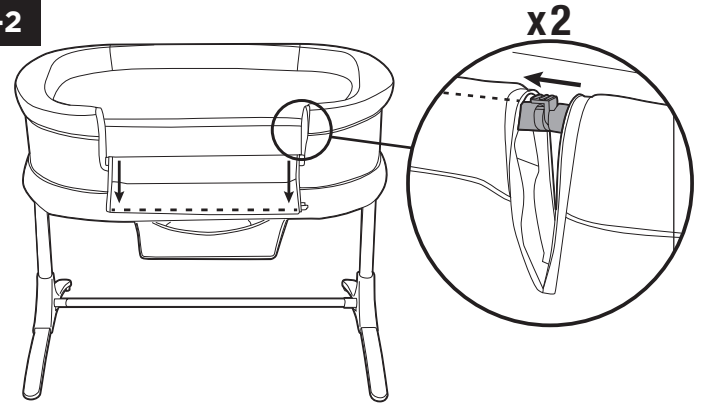
## BEDSIDE SLEEPER MODE

**⚠️ WARNING:** The attachment system must always be used in bedside sleeper mode.

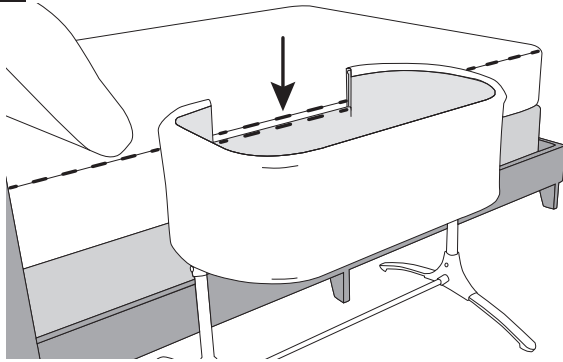
6-1



6-2

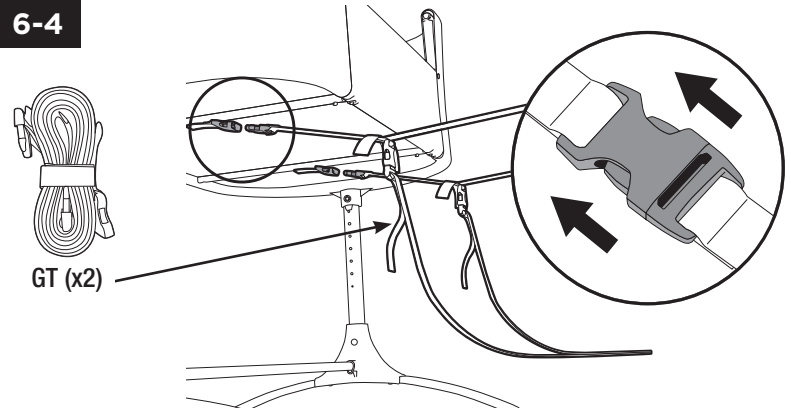


6-3



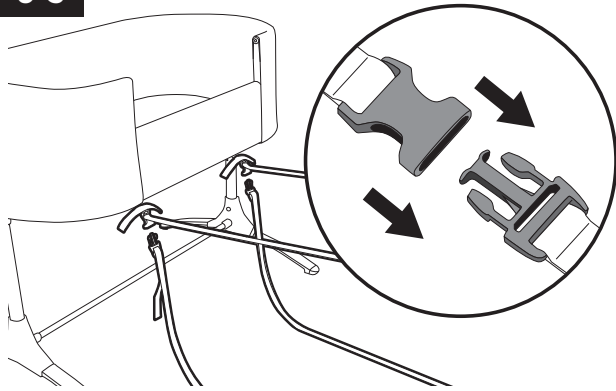
Adjust height of the Bassinet so that the top of the open Bassinet door is no higher than the top of the adult bed mattress. Make sure the height settings match on both sides. See 2-3 for height adjustment info.

6-4



Attach **BED STRAPS (GT)** to connections underneath the Bassinet. Make sure the buckles are secured before proceeding to the next step.

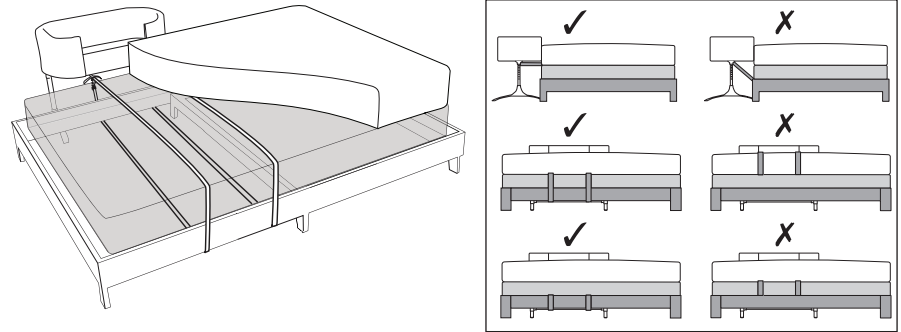
6-5



Release other set of buckles, freeing up the straps to be wrapped around the adult bed.

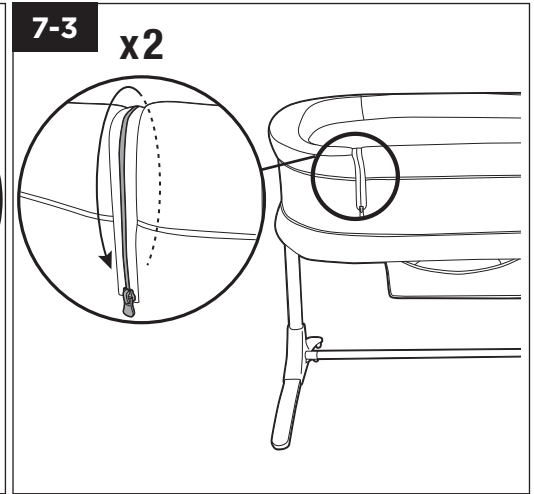
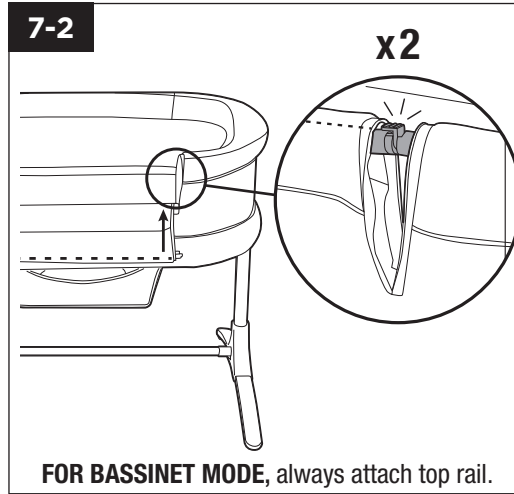
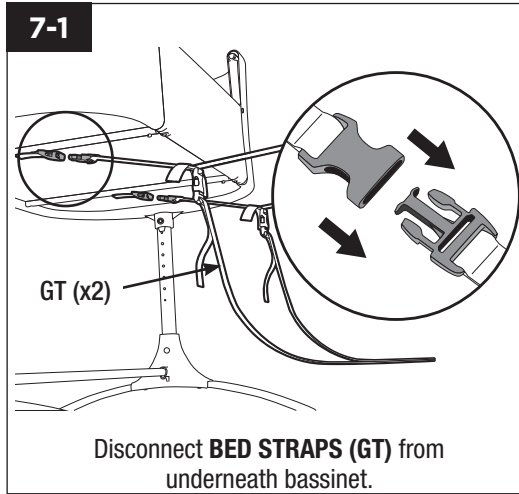
6-6

Secure adult bed frame or adult bed frame and box spring with both straps and reattach buckles from Step 7-5. Tighten both straps to securely hold the Bassinet to the bed. Check that the gap is no more than 1/2 inch.



If straps are not long enough to accommodate your bed and tighten sufficiently to eliminate space between bed and bedside sleeper, discontinue bedside sleeper mode use.

# CONVERTING BACK TO BASSINET MODE

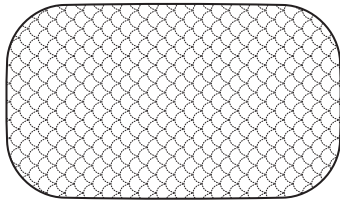


## CARE & MAINTENANCE

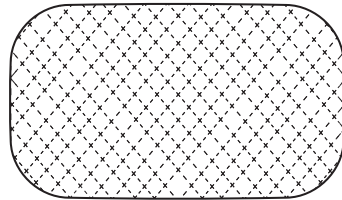
- **Mattress:** Spot clean with mild solution of soap and water as needed.
- **Fitted sheet:** Remove from mattress. Machine wash in cold water. No bleach. Tumble dry on low heat and remove promptly. Do not iron.
- **Main frame fabric cover and storage basket (if storage basket is included):** Remove from frame. Remove top rail from cover. Machine wash in cold water. No bleach. Tumble dry on low heat and remove promptly. Do not iron. After drying reinstall top rail into cover ensuring elastic loops (2) are used.

## ADDITIONAL SHEETS

Sold separately at [SealyBaby.com](http://SealyBaby.com)



EY001 (For Bassinet Model #EB003)



EY002 (For Bassinet Model #EB004)

